

**MICRO SWITCH**  
 FREEPORT, ILLINOIS, U.S.A.  
 A DIVISION OF HONEYWELL  
 FED. MFG. CODE 91829

**SWITCH-ENCLOSED**

CATALOG LISTING  
**BZE6-2RQ2-S**

**BZE6-2RQ2-S**

**M**

DRAWING NUMBER

ISSUE

X 2

X 5

PSR

CHECK

REVISIONS

A

C072618

L J F

11 SEP 92

B

C081513B

J A K

4 MAR 97

C

0016894

KRB

10 NOV 05

D

0033014

BS

29AUG07

CHECK

ROB

9 DEC 85

CHECK

G L H

3 DEC 85

CHECK

RASTER

DRAWN

T S K

3

DEC 85

CHECK

PSR

29AUG07

CHECK

ROB

9 DEC 85

CHECK

G L H

3 DEC 85

CHECK

RASTER

DRAWN

T S K

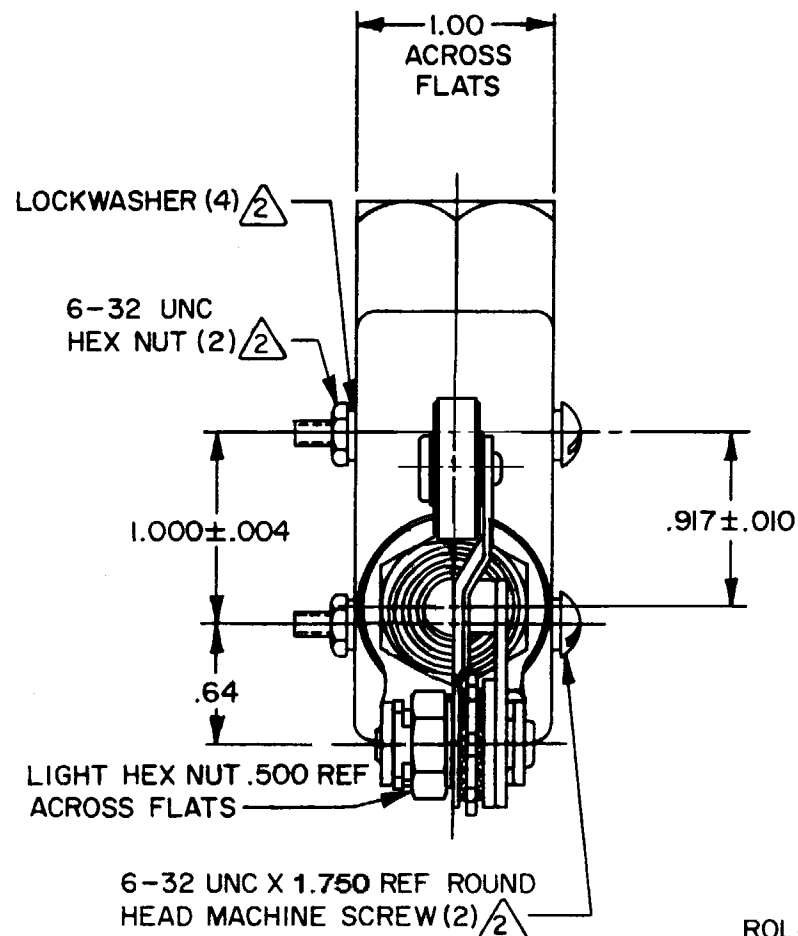
3

DEC 85

CHECK

ROB

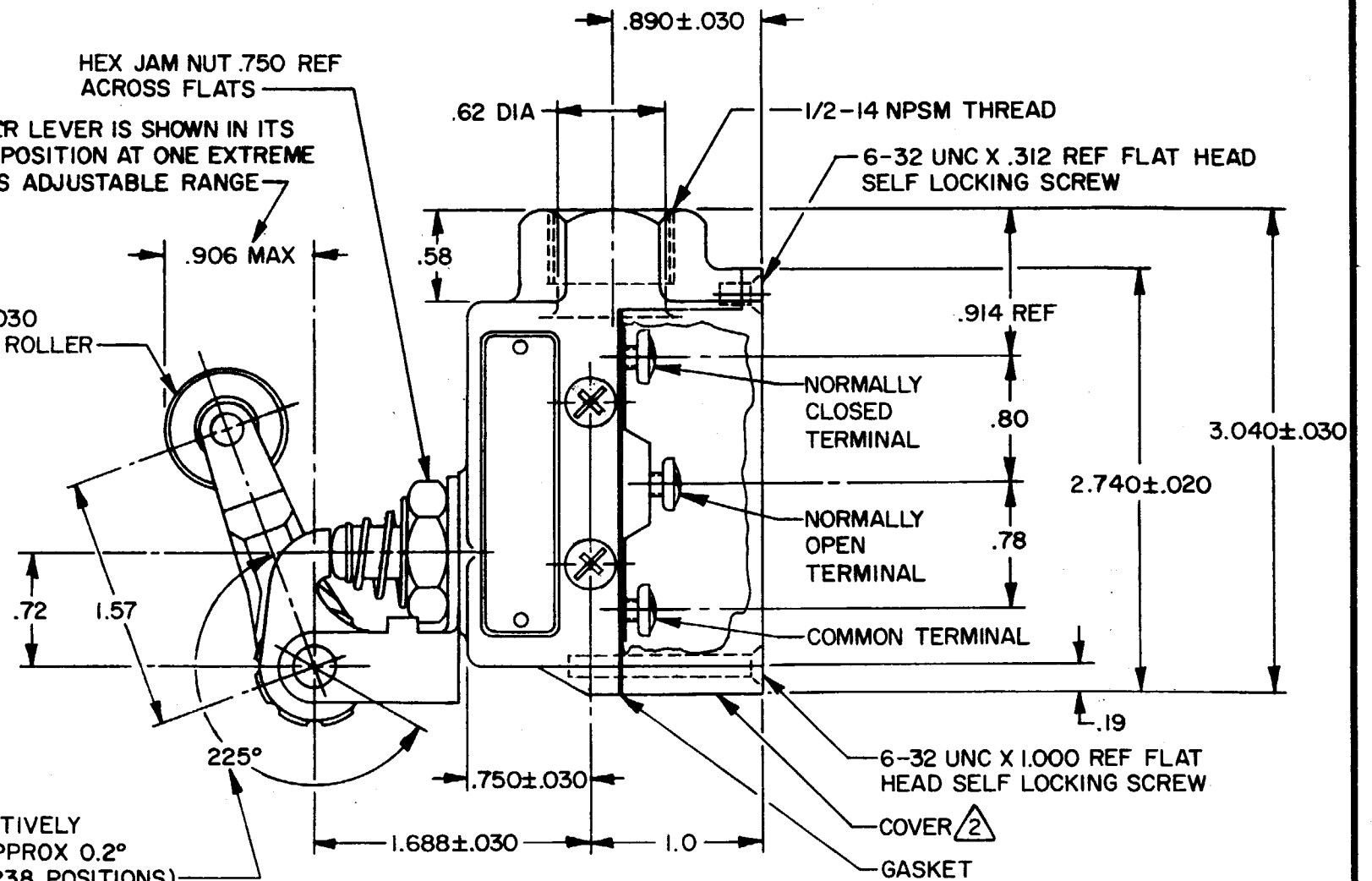
9 DEC 85



HEX JAM NUT .750 REF ACROSS FLATS  
 ROLLER LEVER IS SHOWN IN ITS FREE POSITION AT ONE EXTREME OF ITS ADJUSTABLE RANGE

.750  $\pm$  .030 DIA X .250  $\pm$  .030 WIDE HARDENED STEEL ROLLER

ROLLER LEVER MAY BE POSITIVELY LOCKED AT INTERVALS OF APPROX 0.2° WITHIN A RANGE OF 225° (1238 POSITIONS)



**NOTES**

- 1 - 6-32 UNC X .219 REF BINDING HEAD TERMINAL SCREW AND CUPWASHER (3)
- $\triangle$  2 - FURNISHED UNASSEMBLED
- 3 - ROLLER LEVER BRACKET ASSEMBLY MAY BE SET AT ANY ONE OF EIGHT POSITIONS SPACED 45° APART
- 4 - SEAL RATING: NEMA1 IP40

THIS DRAWING COVERS A PROPRIETARY ITEM AND IS THE PROPERTY OF MICRO SWITCH, A DIVISION OF HONEYWELL. THIS DRAWING IS NOT TO BE COPIED OR USED WITHOUT THE APPROVAL OF MICRO SWITCH.

CHARACTERISTICS	ELECTRICAL DATA	SCALE FULL
OPERATING FORCE ----- 10-18 OZ	CONTACT ARRANGEMENT S P D T	DO NOT SCALE PRINT
RELEASE FORCE ----- 6 OZ MIN	L74	UNLESS OTHERWISE NOTED
PRETRAVEL ----- .188 MAX	15A 125, 250, OR 480VAC 2A 600 VAC	DIMENSIONS ARE IN INCHES
DIFFERENTIAL TRAVEL ----- .006 MAX	1/8 HP 125 VAC, 1/4 HP 250 VAC	<b>TOLERANCES ARE:</b>
OVERTRAVEL ----- .219 MIN	1/2A 125 VDC, 1/4A 250 VDC	ONE PLACE (.0) $\pm$ .030
BASIC SWITCH REPLACEMENT ----- BZ-2RQ68	CE 1.5A, 240 Vac	TWO PLACE (.00) $\pm$ .015
		THREE PLACE (.000) $\pm$ .005
		ANGLES $\pm$ .005
		WEIGHT .70 LB